

Modular Cooking Range Line EVO900 Electric Chip Scuttle

ITEM # _____

MODEL # _____

NAME # _____

SIS # _____

AIA # _____



392098 (Z9CSPDC000)

Electric chip scuttle with 1 well
and 1/1 GN container

Short Form Specification

Item No. _____

Heating via infrared heating elements positioned on the back of the unit. Perforated false bottom GN 1/1 specially shaped for easier food collection. One piece pressed worktop in stainless steel. Easy to use control panel with ON/OFF switch. Exterior panels in stainless steel. Design of control knobs protects against water infiltration.

Main Features

- Typically used in combination with a fryer to allow fried portions to drip excess oil into the well basin.
- The appliance is used to keep servings warm until ready to be served to customer.
- Unit to have infrared heating elements positioned on the back of the unit to increase holding time.
- Well able to contain 1/1 GN container with a maximum height of 150 mm.
- Easy-to-use control panel.
- Unit supplied with a perforated GN 1/1 false bottom specially shaped for easier food collection.
- One-piece pressed working top in 2mm stainless steel with Scotch Brite finish to facilitate cleaning.
- All major compartments located in front of unit for ease of maintenance.
- The special design of the control knob system guarantees against water infiltration.
- Suitable for countertop installation.

Construction

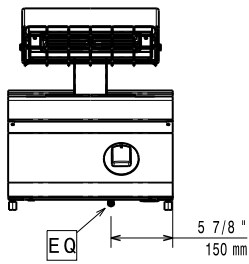
- All exterior panels in Stainless Steel with Scotch Brite finishing.
- Model has right-angled side edges to allow flush fitting joints between units, eliminating gaps and possible dirt traps.
- IPX5 water resistance certification.
- Unit is 900mm deep to give a larger working surface area.

APPROVAL: _____

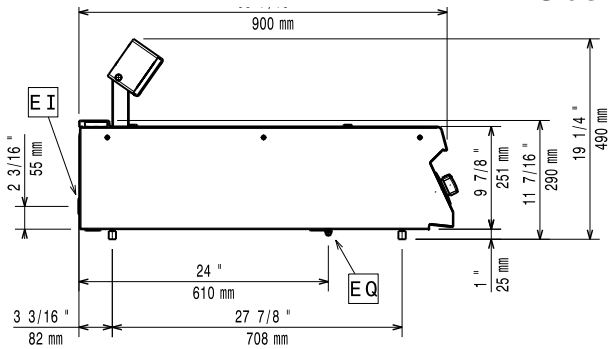
Optional Accessories

- Junction sealing kit PNC 206086
- 4 wheels, 2 swivelling with brake PNC 206135
(EVO700/900). It is mandatory to install with base supports for feet/wheels.
- Support for bridge type installation, PNC 206137
800 mm
- Support for bridge type installation, PNC 206138
1000 mm
- Support for bridge type installation, PNC 206139
1200 mm
- Support for bridge type installation, PNC 206140
1400 mm
- Support for bridge type installation, PNC 206141
1600 mm
- Support for bridge type installation, PNC 206154
400 mm
- Side handrail for right/left hand PNC 206165
- Frontal handrail 400 mm PNC 206166
- Frontal handrail 800 mm PNC 206167
- Large handrail (portioning shelf) 400 PNC 206185
mm
- Large handrail (portioning shelf) 800 PNC 206186
mm
- Frontal handrail 1200 mm PNC 206191
- Frontal handrail 1600 mm PNC 206192
- Chimney upstand, 400 mm PNC 206303
- 2 side covering panels, height 250 mm, PNC 206321
depth 900 mm

Front

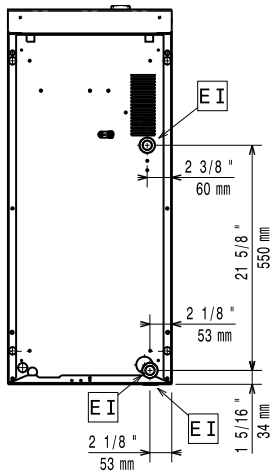


Side



EI = Electrical inlet (power)

Top



Electric

| | |
|------------------------|-------------------------|
| Supply voltage: | 220-230 V/1 ph/50-60 Hz |
| Electrical power max.: | 1 kW |
| Total Watts: | 1 kW |

Key Information:

| | |
|----------------------------------|---------------------|
| Usable well dimensions (width): | 306 mm |
| Usable well dimensions (height): | 156 mm |
| Usable well dimensions (depth): | 510 mm |
| Net weight: | 28 kg |
| Shipping weight: | 32 kg |
| Shipping height: | 660 mm |
| Shipping width: | 460 mm |
| Shipping depth: | 1020 mm |
| Shipping volume: | 0.31 m ³ |
| [NOT TRANSLATED] | ECS9 |

If appliance is set up or next to or against temperature sensitive furniture or similar, a safety gap of approximately 150 mm should be maintained or some form of heat insulation fitted.